

### Input data

System of measurement		Metric
Input type		Coupling for electric motor
Input speed	[rpm]	1400
Output speed	[rpm]	93.33
Ratio (i=)		15
Frequency	[Hz]	50
Input options		IEC
Requested input power	[kW]	0.55
Service factor		2.9
Rated Power P1	[kW]	1.57

### Output data

<b>Gear unit</b>	<b>F RS 60 Output flange No Flange FL (bolted) 15 80 B5 AC 25 B3</b>
------------------	--

Type		RS - Worm speed reducers
Input type		F (Elastic coupling)
Size		60
Ratio (i=)		15
Input flange		B5
Mounting position		B3
Input speed	[rpm]	1400
Output speed	[rpm]	93.33
Rated output torque	[Nm]	45.58
Service Factor		2.9
Efficiency		0.81
Inertia moment	[kgm <sup>2</sup> ]	0.00011

#### Gear unit configuration

Output shaft	Hollow output shaft
Fixing	Output flange
Right side flange	No Flange
Left side flange	FL (bolted)

#### Output radial and axial loads

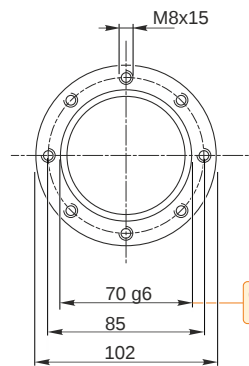
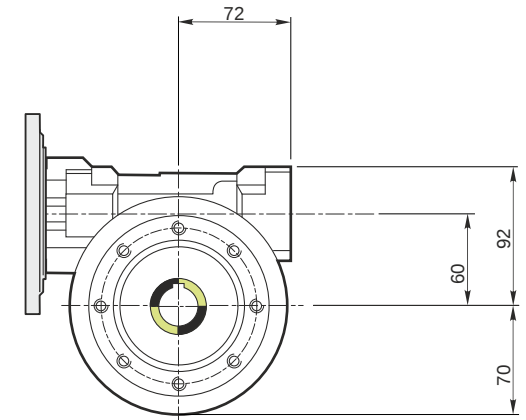
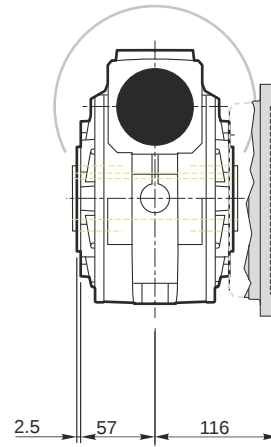
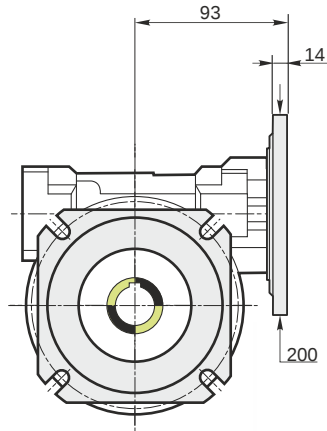
Ball bearings output radial load	[N]	2900
Taper bearings output radial load	[N]	3700
Ball bearings output axial load	[N]	580
Taper bearings output axial load	[N]	740

#### Accessories

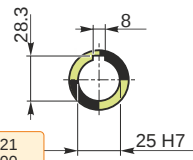
Hollow output shaft	AC 25
---------------------	-------

#### Electric motor coupling

Size		80 A4
Poles n.		4
Power	[kW]	0.55

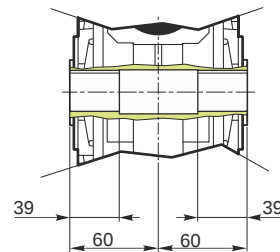


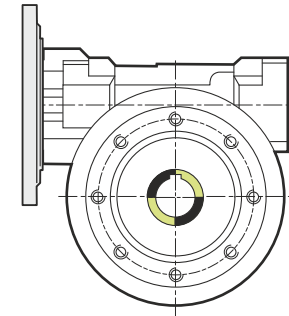
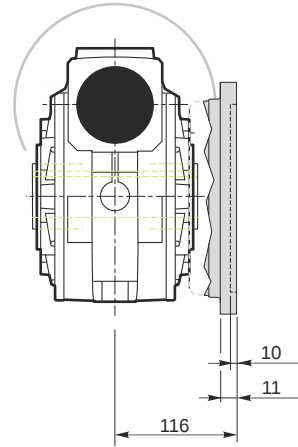
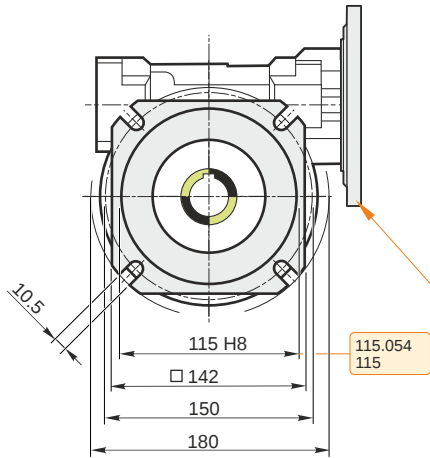
Hollow output shaft



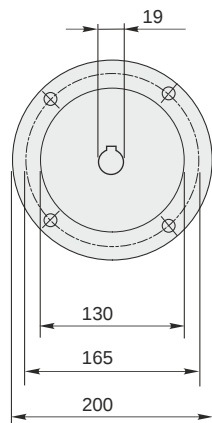
69.99  
69.971

25.021  
25.000



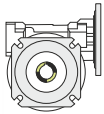


This gear unit is provided with an elastic coupling motor fitting



### Mounting positions

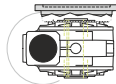
B3



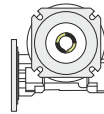
B6



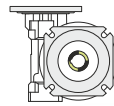
B7



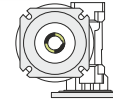
B8



V5



V6



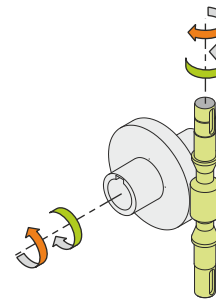
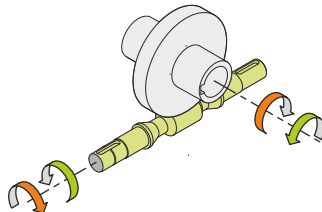
0.23



← Oil quantity [litres]

Lubricant type: Long life synthetic oil ISO VG320

### Direction of rotation



### Weight

Gear unit [kg]

6.5

### Gearing data

Axial module

3.1

Number of starts

2

Lead angle

12° 55'

Pressure angle

20°

### Backdriving

Static back-driving

Quick back-driving

Dynamic back-driving