

Input data

System of measurement		Metric
Input type		Coupling for electric motor
Input speed	[rpm]	1400
Output speed	[rpm]	93.33
Ratio (i=)		15
Frequency	[Hz]	50
Input options		IEC
Requested input power	[kW]	1.1
Service factor		1.4
Rated Power P1	[kW]	1.57

Output data

Gear unit F RS 60 Output flange No Flange FL (bolted) 15 90 B5 AC 25 B3

Type		RS - Worm speed reducers
Input type		F (Elastic coupling)
Size		60
Ratio (i=)		15
Input flange		B5
Mounting position		B3
Input speed	[rpm]	1400
Output speed	[rpm]	93.33
Rated output torque	[Nm]	91.17
Service Factor		1.4
Efficiency		0.81
Inertia moment	[kgm ²]	0.00011

Gear unit configuration

Output shaft		Hollow output shaft
Fixing		Output flange
Right side flange		No Flange
Left side flange		FL (bolted)

Output radial and axial loads

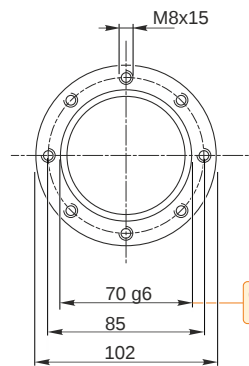
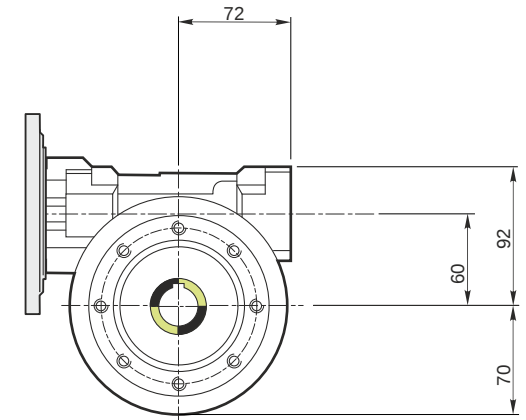
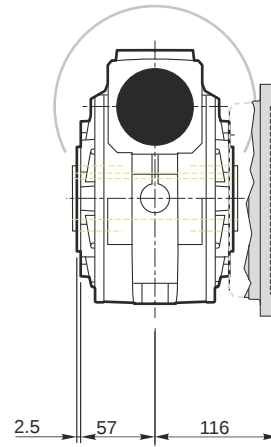
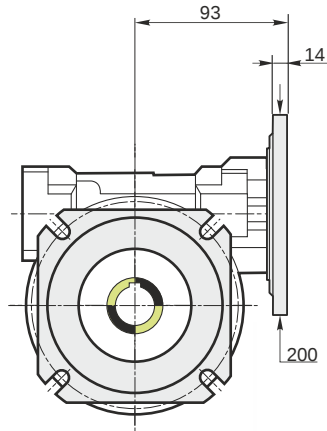
Ball bearings output radial load	[N]	2900
Taper bearings output radial load	[N]	3700
Ball bearings output axial load	[N]	580
Taper bearings output axial load	[N]	740

Accessories

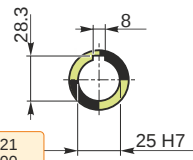
Hollow output shaft		AC 25
---------------------	--	-------

Electric motor coupling

Size		90 S4
Poles n.		4
Power	[kW]	1.1

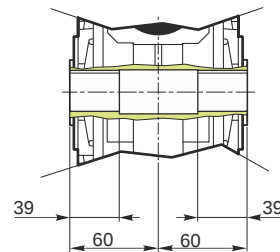


Hollow output shaft

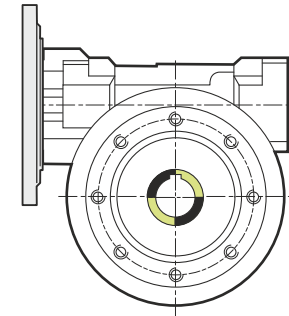
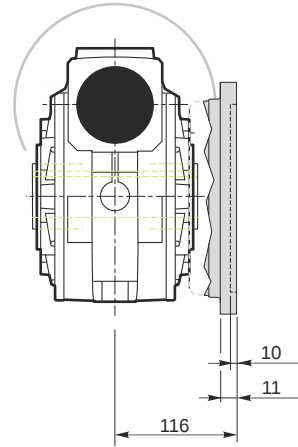
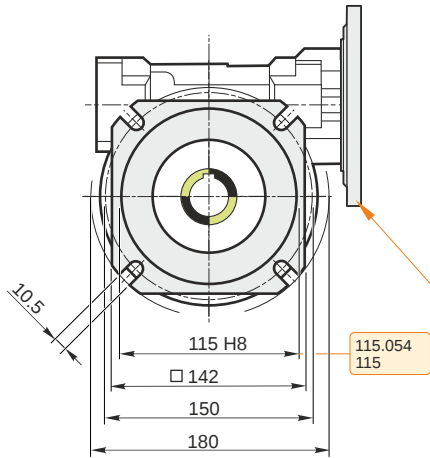


69.99
69.971

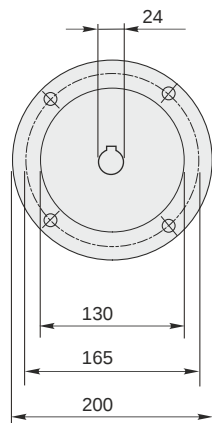
25.021
25.000



F RS 60 Output flange No Flange FL (bolted) 15 90 B5 AC 25 B3

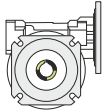


This gear unit is provided with an elastic coupling motor fitting



Mounting positions

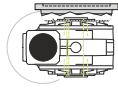
B3



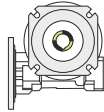
B6



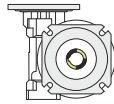
B7



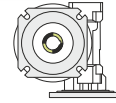
B8



V5



V6



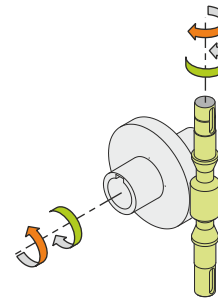
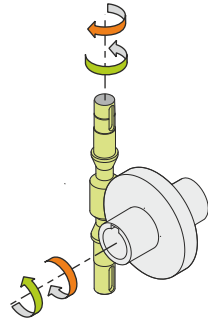
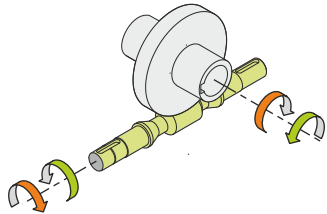
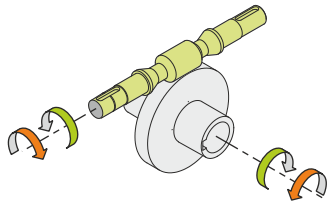
0.23



← Oil quantity [litres]

Lubricant type: Long life synthetic oil ISO VG320

Direction of rotation



Weight

Gear unit [kg] 6.5

Gearing data

Axial module 3.1
Number of starts 2
Lead angle 12° 55'
Pressure angle 20°

Backdriving

Static back-driving
Quick back-driving
Dynamic back-driving