

### Input data

System of measurement		Metric
Input type		Coupling for electric motor
Input speed	[rpm]	1400
Output speed	[rpm]	93.33
Ratio (i=)		15
Frequency	[Hz]	50
Input options		IEC
Requested input power	[kW]	2.2
Service factor		1
Rated Power P1	[kW]	2.21

### Output data

<b>Gear unit</b>	<b>F RS 70 Output flange No Flange FL (bolted) 15 100 B5 AC 28 B3</b>
------------------	---

Type		RS - Worm speed reducers
Input type		F (Elastic coupling)
Size		70
Ratio (i=)		15
Input flange		B5
Mounting position		B3
Input speed	[rpm]	1400
Output speed	[rpm]	93.33
Rated output torque	[Nm]	186.84
Service Factor		1
Efficiency		0.83
Inertia moment	[kgm <sup>2</sup> ]	0.000257

#### Gear unit configuration

Output shaft		Hollow output shaft
Fixing		Output flange
Right side flange		No Flange
Left side flange		FL (bolted)

#### Output radial and axial loads

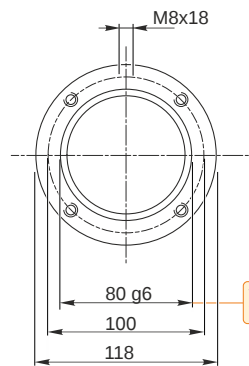
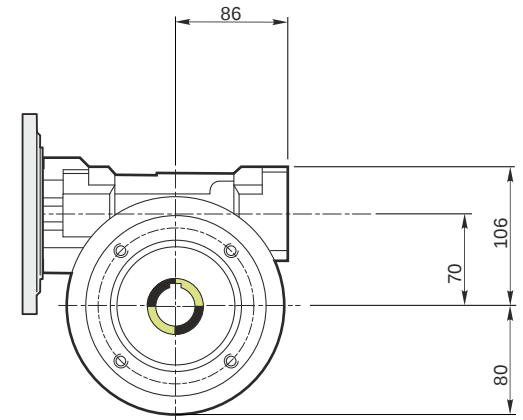
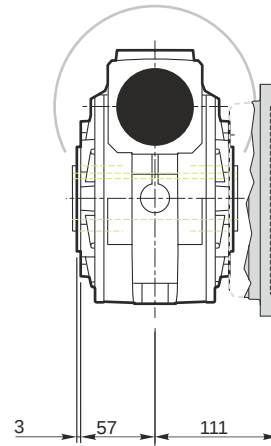
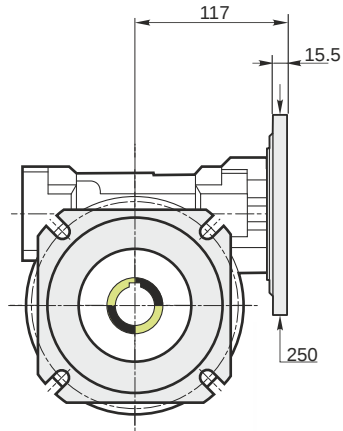
Ball bearings output radial load	[N]	3600
Taper bearings output radial load	[N]	4500
Ball bearings output axial load	[N]	720
Taper bearings output axial load	[N]	900

#### Accessories

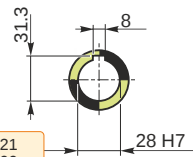
Hollow output shaft		AC 28
---------------------	--	-------

#### Electric motor coupling

Size		100 A4
Poles n.		4
Power	[kW]	2.2

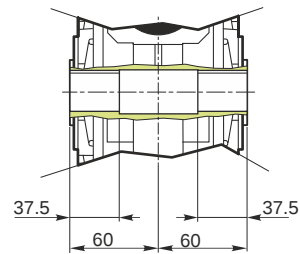


Hollow output shaft

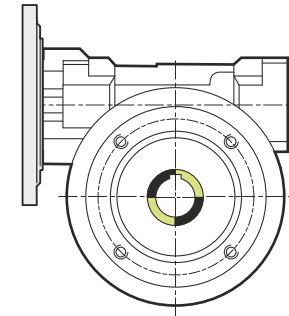
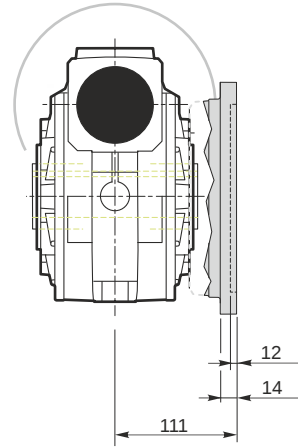
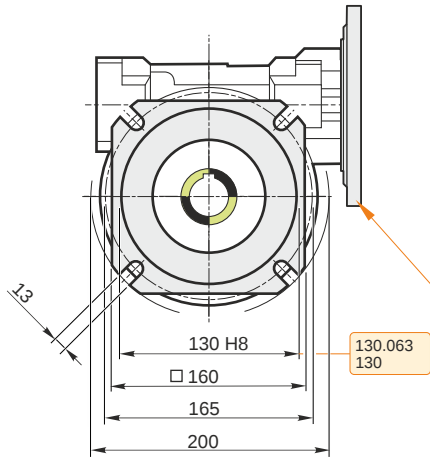


79.99  
79.971

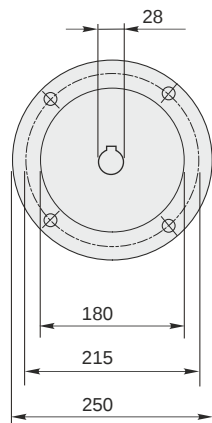
28.021  
28.000



**F RS 70 Output flange No Flange FL (bolted) 15 100 B5 AC 28 B3**

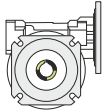


This gear unit is provided with an elastic coupling motor fitting



### Mounting positions

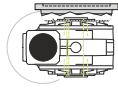
B3



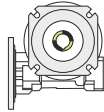
B6



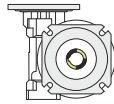
B7



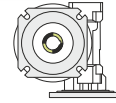
B8



V5



V6



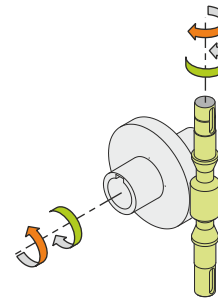
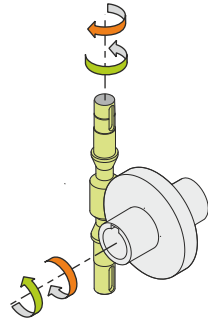
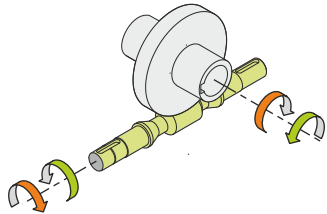
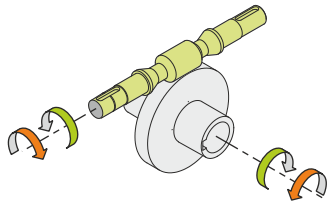
0.35



← Oil quantity [litres]

Lubricant type: Long life synthetic oil ISO VG320

### Direction of rotation



### Weight

Gear unit [kg] 9

### Gearing data

Axial module	3.6
Number of starts	2
Lead angle	12° 40'
Pressure angle	20°

### Backdriving

Static back-driving  
Quick back-driving  
Dynamic back-driving