

### Input data

System of measurement		Metric
Input type		Coupling for electric motor
Input speed	[rpm]	1400
Output speed	[rpm]	93.33
Ratio (i=)		15
Frequency	[Hz]	50
Input options		IEC
Requested input power	[kW]	1.1
Service factor		3.1
Rated Power P1	[kW]	3.4

### Output data

#### **Gear unit** F RS 85 Output flange No Flange FL (bolted) 15 90 B5 AC 32 B3

Type		RS - Worm speed reducers
Input type		F (Elastic coupling)
Size		85
Ratio (i=)		15
Input flange		B5
Mounting position		B3
Input speed	[rpm]	1400
Output speed	[rpm]	93.33
Rated output torque	[Nm]	93.42
Service Factor		3.1
Efficiency		0.83
Inertia moment	[kgm <sup>2</sup> ]	0.000372

#### **Gear unit configuration**

Output shaft		Hollow output shaft
Fixing		Output flange
Right side flange		No Flange
Left side flange		FL (bolted)

#### **Output radial and axial loads**

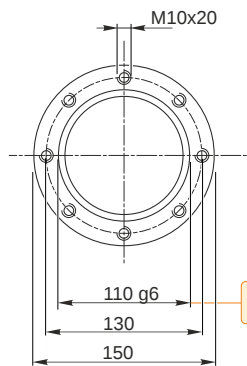
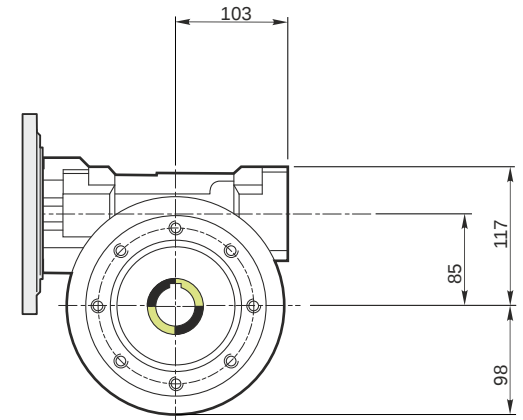
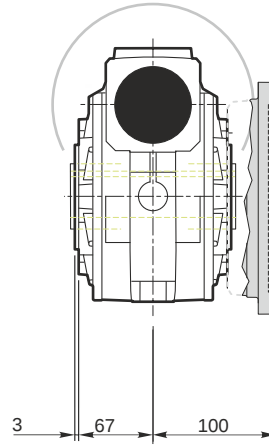
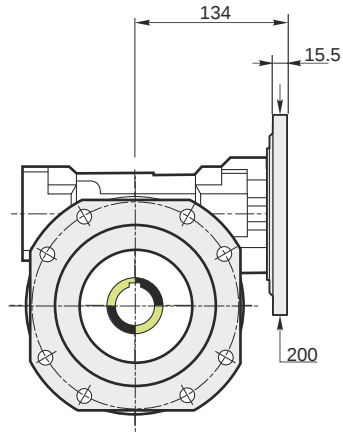
Ball bearings output radial load	[N]	4400
Taper bearings output radial load	[N]	5500
Ball bearings output axial load	[N]	880
Taper bearings output axial load	[N]	1100

#### **Accessories**

Hollow output shaft		AC 32
---------------------	--	-------

#### **Electric motor coupling**

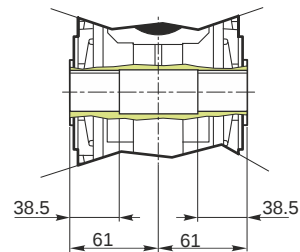
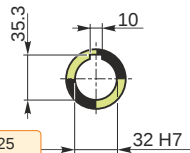
Size		90 S4
Poles n.		4
Power	[kW]	1.1



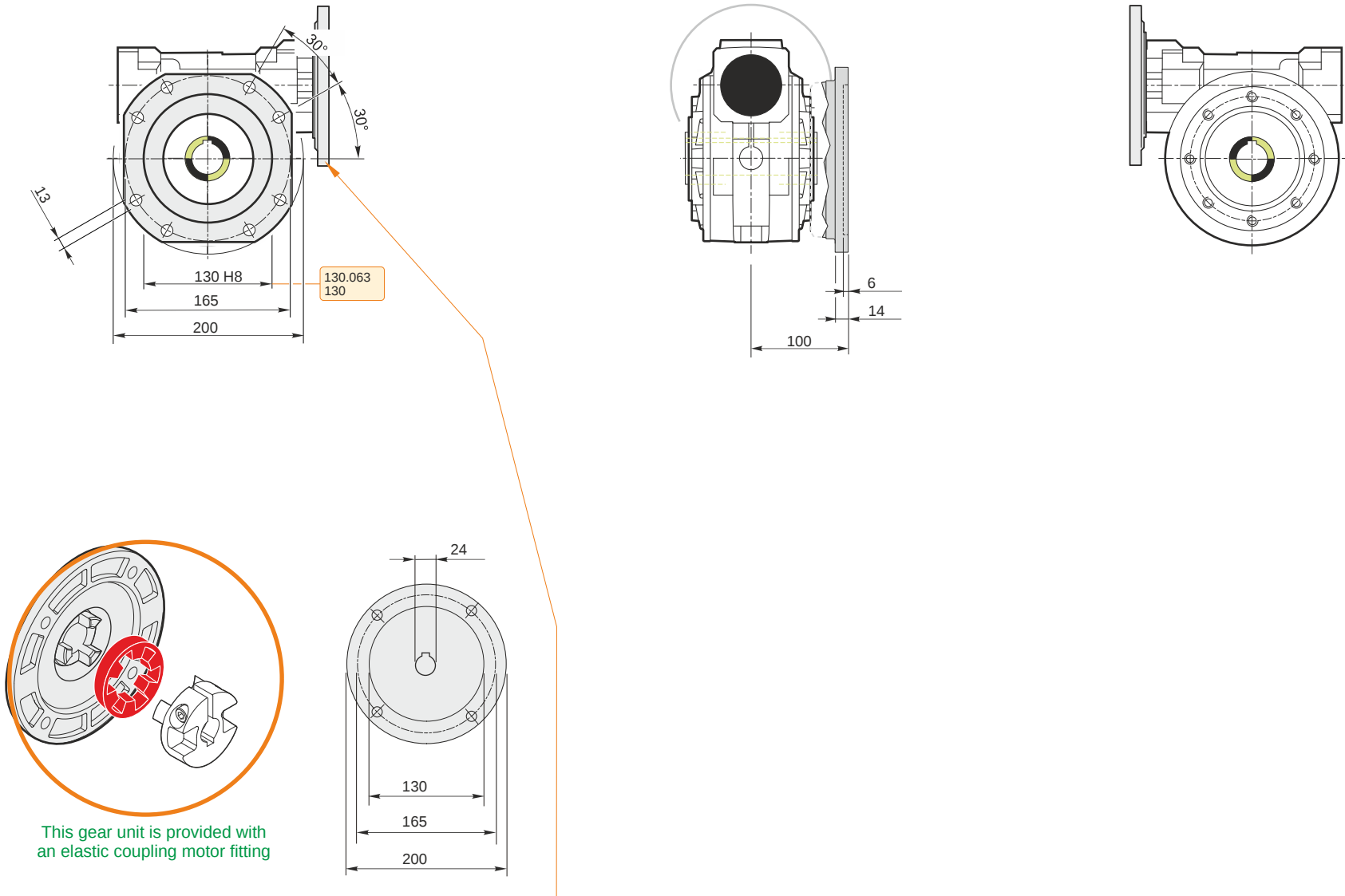
109.988  
109.966

32.025  
32.000

Hollow output shaft

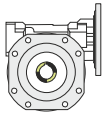


**F RS 85 Output flange No Flange FL (bolted) 15 90 B5 AC 32 B3**

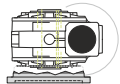


**Mounting positions**

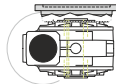
**B3**



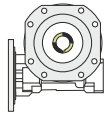
**B6**



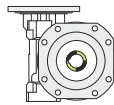
**B7**



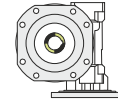
**B8**



**V5**



**V6**



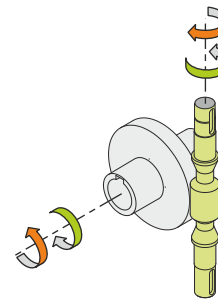
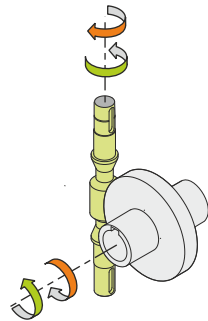
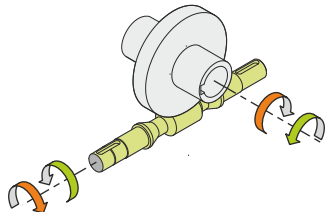
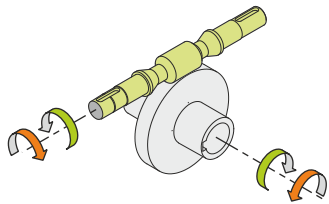
0.6



← Oil quantity [litres]

Lubricant type: Long life synthetic oil ISO VG320

**Direction of rotation**



**Weight**

Gear unit [kg] 13.5

**Gearing data**

Axial module	4.4
Number of starts	2
Lead angle	13° 02'
Pressure angle	20°

**Backdriving**

Static back-driving  
Quick back-driving  
Dynamic back-driving