

Input data

System of measurement		Metric
Input type		Coupling for electric motor
Input speed	[rpm]	1400
Output speed	[rpm]	93.33
Ratio (i=)		15
Frequency	[Hz]	50
Input options		IEC
Requested input power	[kW]	1.1
Service factor		3.1
Rated Power P1	[kW]	3.4

Output data

Gear unit	F RS 85 Output flange No Flange FL (bolted) 15 90 B14 AC 32 B3
------------------	---

Type		RS - Worm speed reducers
Input type		F (Elastic coupling)
Size		85
Ratio (i=)		15
Input flange		B14
Mounting position		B3
Input speed	[rpm]	1400
Output speed	[rpm]	93.33
Rated output torque	[Nm]	93.42
Service Factor		3.1
Efficiency		0.83
Inertia moment	[kgm ²]	0.000372

Gear unit configuration

Output shaft	Hollow output shaft
Fixing	Output flange
Right side flange	No Flange
Left side flange	FL (bolted)

Output radial and axial loads

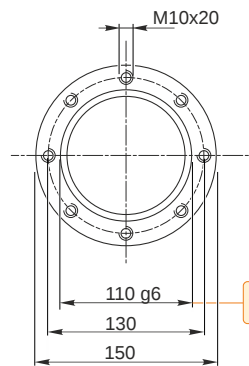
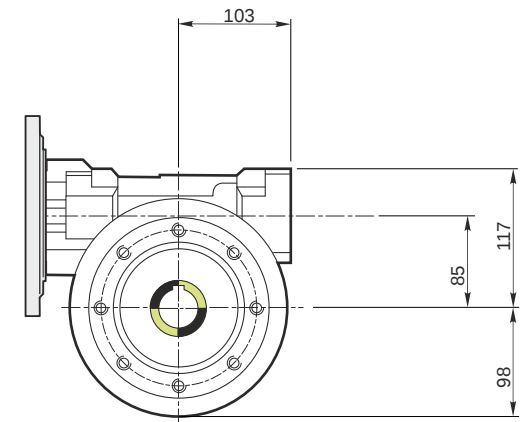
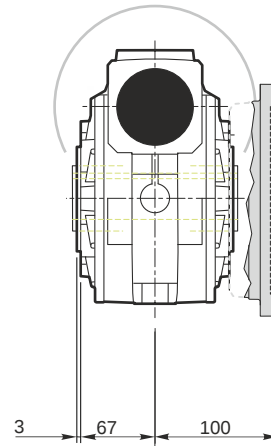
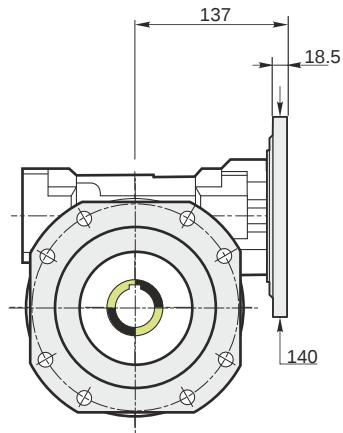
Ball bearings output radial load	[N]	4400
Taper bearings output radial load	[N]	5500
Ball bearings output axial load	[N]	880
Taper bearings output axial load	[N]	1100

Accessories

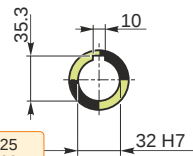
Hollow output shaft	AC 32
---------------------	-------

Electric motor coupling

Size		90 S4
Poles n.		4
Power	[kW]	1.1

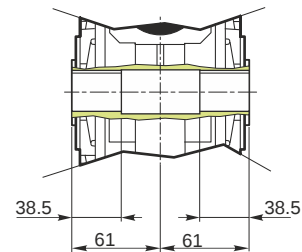


Hollow output shaft

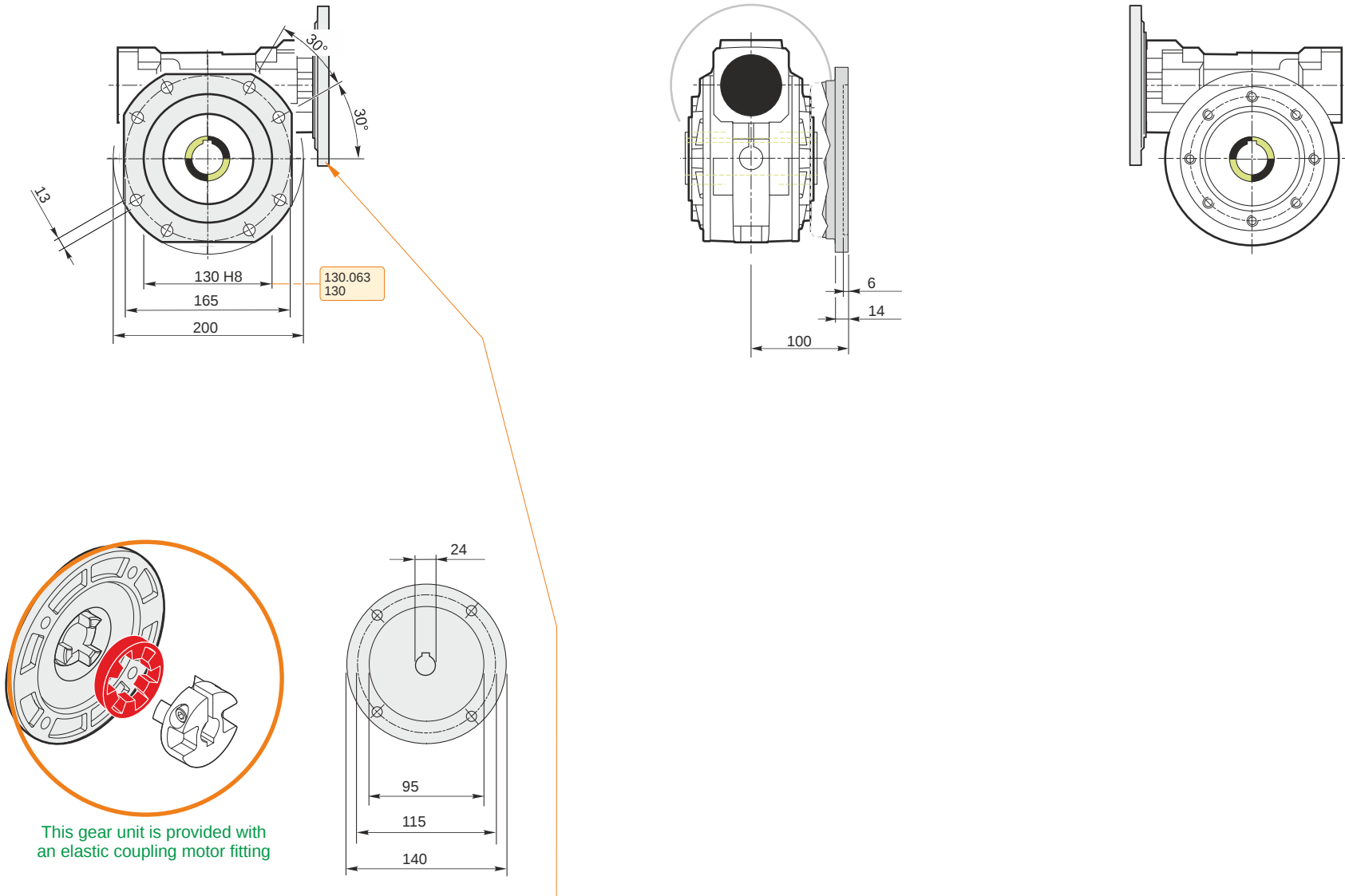


109.988
109.966

32.025
32.000

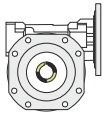


F RS 85 Output flange No Flange FL (bolted) 15 90 B14 AC 32 B3

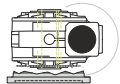


Mounting positions

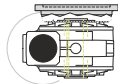
B3



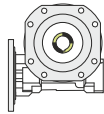
B6



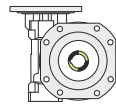
B7



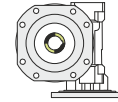
B8



V5



V6



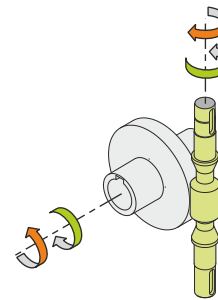
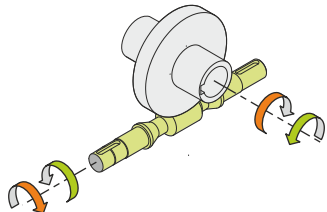
0.6



← Oil quantity [litres]

Lubricant type: Long life synthetic oil ISO VG320

Direction of rotation



Weight

Gear unit [kg] 13.5

Gearing data

Axial module 4.4
Number of starts 2
Lead angle 13° 02'
Pressure angle 20°

Backdriving

Static back-driving
Quick back-driving
Dynamic back-driving