

### Input data

System of measurement		Metric
Input type		Coupling for electric motor
Input speed	[rpm]	1400
Output speed	[rpm]	93.33
Ratio (i=)		15
Frequency	[Hz]	50
Input options		IEC
Requested input power	[kW]	4
Service factor		0.9
Rated Power P1	[kW]	3.4

### Output data

<b>Gear unit</b>	<b>F RS 85 Output flange No Flange FL (bolted) 15 112 B14 AC 32 B3</b>
------------------	--

Type		RS - Worm speed reducers
Input type		F (Elastic coupling)
Size		85
Ratio (i=)		15
Input flange		B14
Mounting position		B3
Input speed	[rpm]	1400
Output speed	[rpm]	93.33
Rated output torque	[Nm]	339.71
Service Factor		0.9
Efficiency		0.83
Inertia moment	[kgm <sup>2</sup> ]	0.000372

#### Gear unit configuration

Output shaft	Hollow output shaft
Fixing	Output flange
Right side flange	No Flange
Left side flange	FL (bolted)

#### Output radial and axial loads

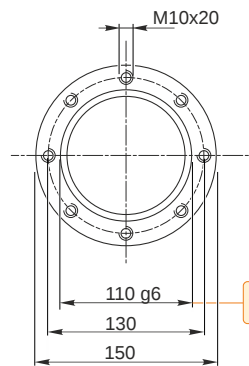
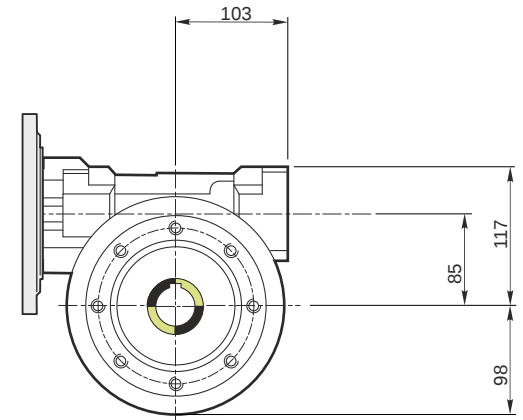
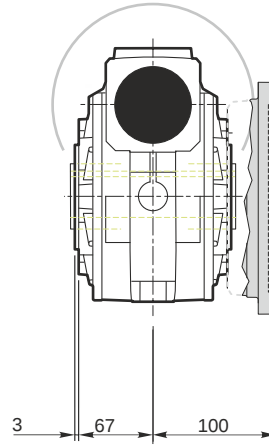
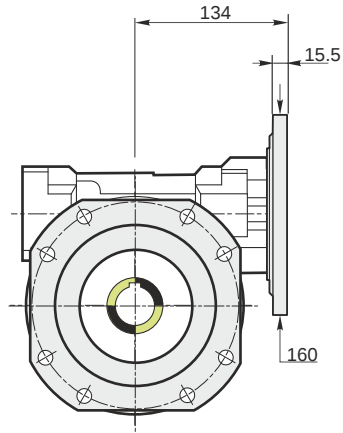
Ball bearings output radial load	[N]	4400
Taper bearings output radial load	[N]	5500
Ball bearings output axial load	[N]	880
Taper bearings output axial load	[N]	1100

#### Accessories

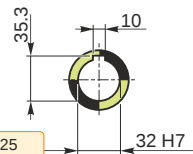
Hollow output shaft	AC 32
---------------------	-------

#### Electric motor coupling

Size		112 A4
Poles n.		4
Power	[kW]	4

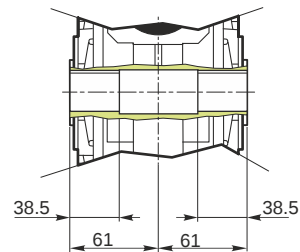


Hollow output shaft

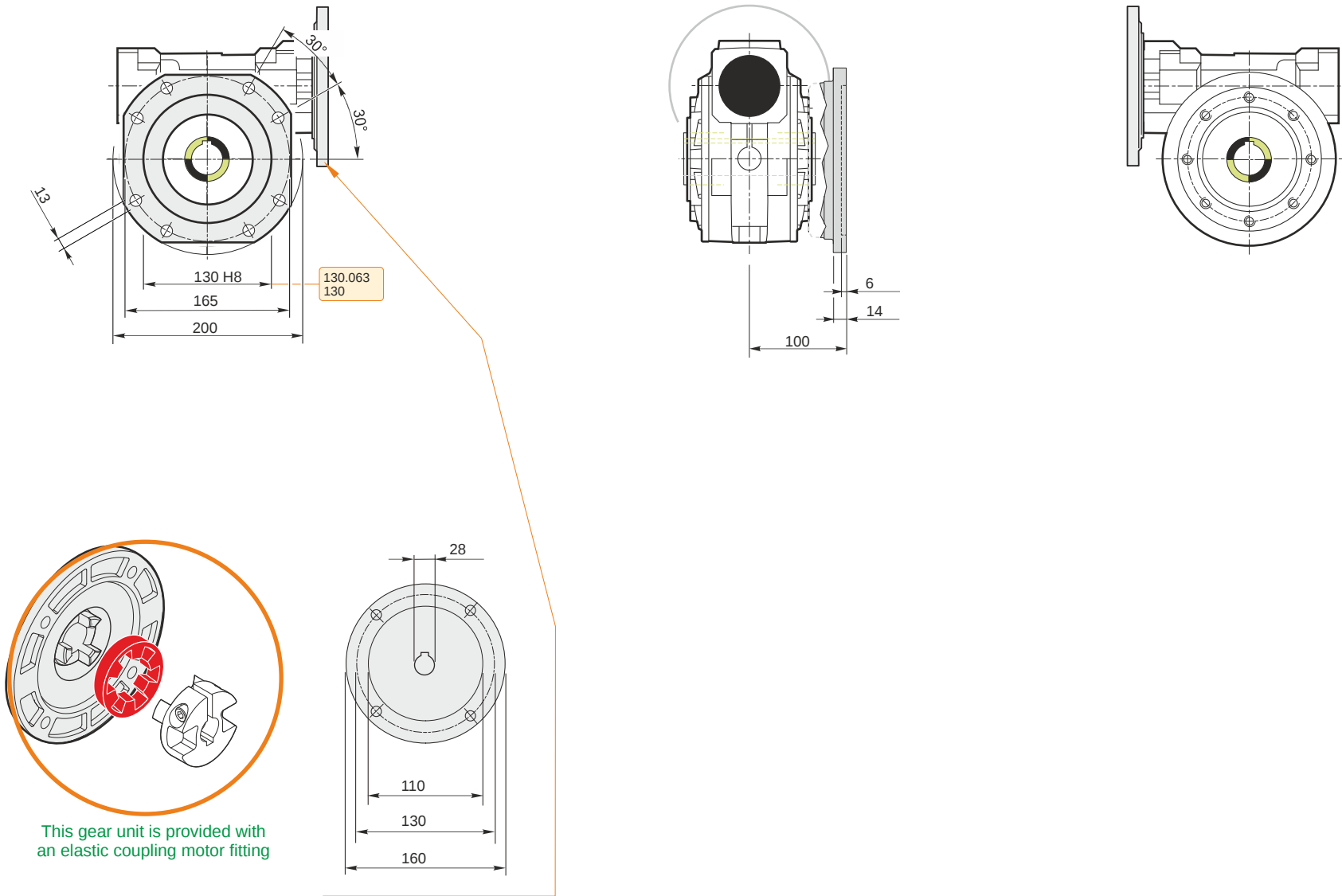


109.988  
109.966

32.025  
32.000



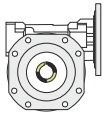
**F RS 85 Output flange No Flange FL (bolted) 15 112 B14 AC 32 B3**



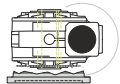
This gear unit is provided with an elastic coupling motor fitting

### Mounting positions

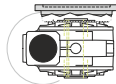
B3



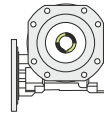
B6



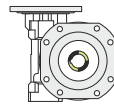
B7



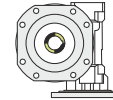
B8



V5



V6



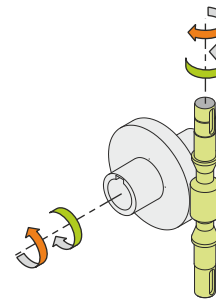
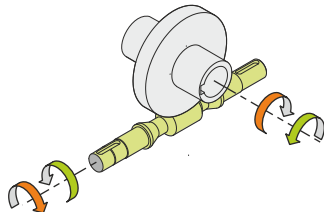
0.6



← Oil quantity [litres]

Lubricant type: Long life synthetic oil ISO VG320

### Direction of rotation



### Weight

Gear unit [kg] 13.5

### Gearing data

Axial module	4.4
Number of starts	2
Lead angle	13° 02'
Pressure angle	20°

### Backdriving

Static back-driving  
Quick back-driving  
Dynamic back-driving