

Input data

System of measurement		Metric
Input type		Coupling for electric motor
Input speed	[rpm]	1400
Output speed	[rpm]	93.33
Ratio (i=)		15
Frequency	[Hz]	50
Input options		IEC
Requested input power	[kW]	11
Service factor		1.5
Rated Power P1	[kW]	16.02

Output data

Gear unit	F RS 150 Output flange No Flange FL (integral) 15 160 B5 AC 55 B3
------------------	--

Type		RS - Worm speed reducers
Input type		F (Elastic coupling)
Size		150
Ratio (i=)		15
Input flange		
Mounting position		B3
Input speed	[rpm]	1400
Output speed	[rpm]	93.33
Rated output torque	[Nm]	967.96
Service Factor		1.5
Efficiency		0.86
Inertia moment	[kgm ²]	0.006313

Gear unit configuration

Output shaft		Hollow output shaft
Fixing		Output flange
Right side flange		No Flange
Left side flange		FL (integral)

Output radial and axial loads

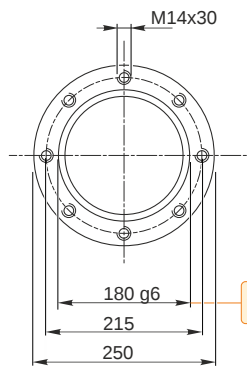
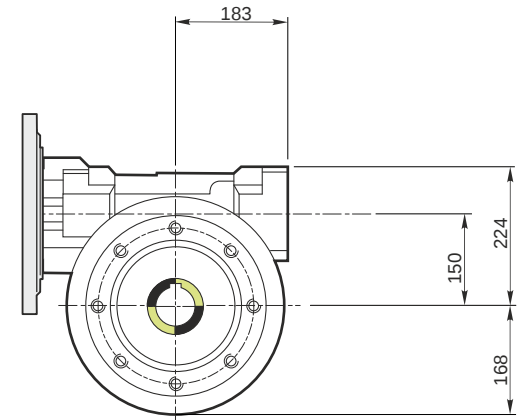
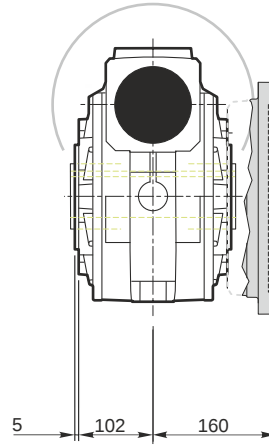
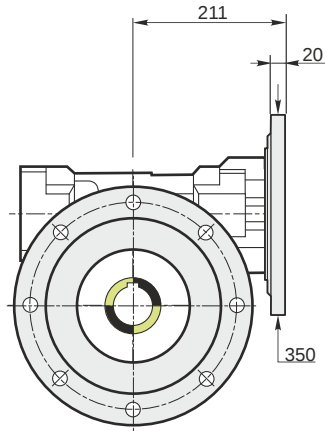
Ball bearings output radial load	[N]	8300
Taper bearings output radial load	[N]	11600
Ball bearings output axial load	[N]	1660
Taper bearings output axial load	[N]	2320

Accessories

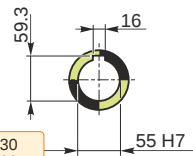
Hollow output shaft		AC 55
---------------------	--	-------

Electric motor coupling

Size		160 M4
Poles n.		4
Power	[kW]	11

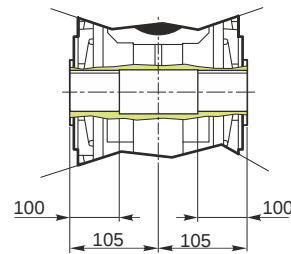


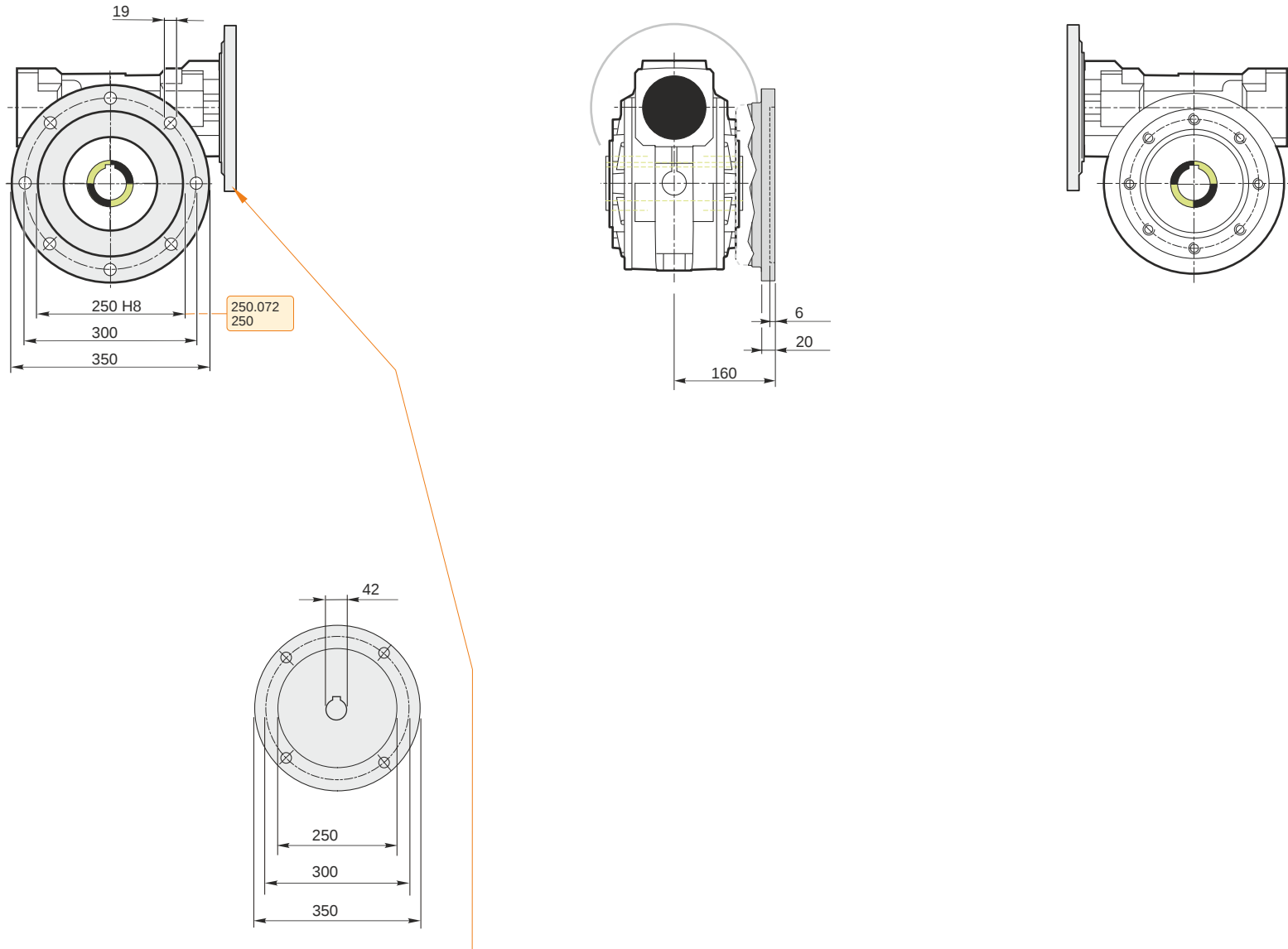
Hollow output shaft



179.986
179.961

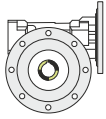
55.030
55.000



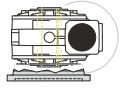


Mounting positions

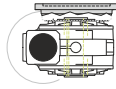
B3



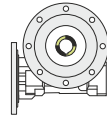
B6



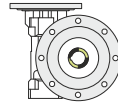
B7



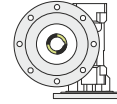
B8



V5



V6



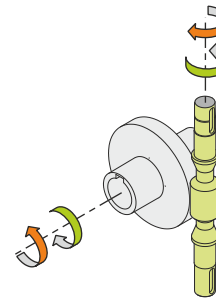
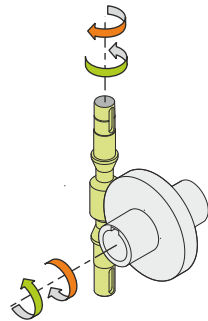
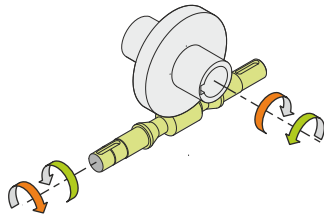
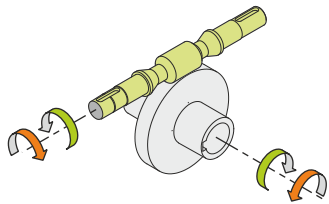
4.4



← Oil quantity [litres]

Lubricant type: Long life synthetic oil ISO VG320

Direction of rotation



Weight

Gear unit [kg] 80

Gearing data

Axial module	8.15
Number of starts	2
Lead angle	16° 22'
Pressure angle	20°

Backdriving

Static back-driving
Quick back-driving
Dynamic back-driving