

### Input data

System of measurement		Metric
Input type		Coupling for electric motor
Input speed	[rpm]	1400
Output speed	[rpm]	93.33
Ratio (i=)		15
Frequency	[Hz]	50
Input options		IEC
Requested input power	[kW]	2.2
Service factor		5
Rated Power P1	[kW]	11.04

### Output data

<b>Gear unit</b>	<b>F RS 130 Output flange No Flange FL (integral) 15 100 B5 AC 48 B3</b>
------------------	--

Type		RS - Worm speed reducers
Input type		F
Size		130
Ratio (i=)		15
Input flange		B5
Mounting position		B3
Input speed	[rpm]	1400
Output speed	[rpm]	93.33
Rated output torque	[Nm]	191.34
Service Factor		5
Efficiency		0.85
Inertia moment	[kgm <sup>2</sup> ]	0.002928

#### Gear unit configuration

Output shaft	Hollow output shaft
Fixing	Output flange
Right side flange	No Flange
Left side flange	FL (integral)

#### Output radial and axial loads

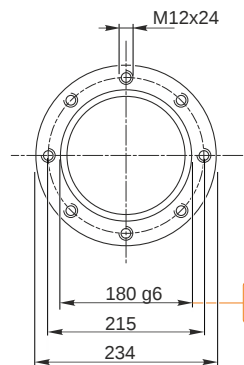
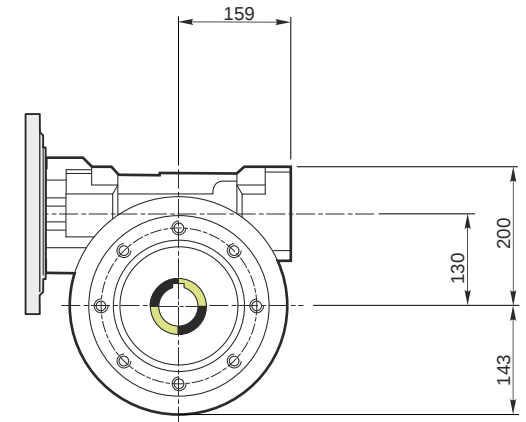
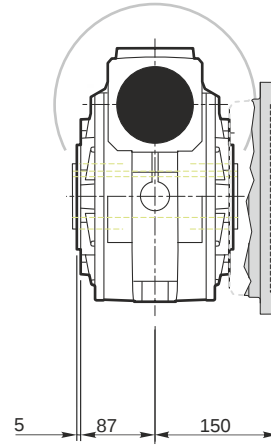
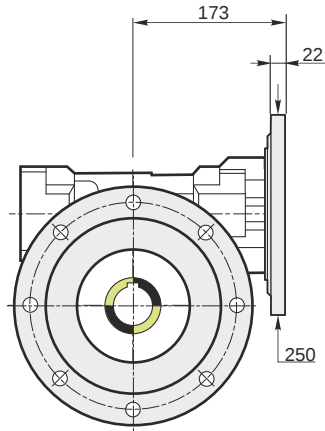
Ball bearings output radial load	[N]	6150
Taper bearings output radial load	[N]	8600
Ball bearings output axial load	[N]	1230
Taper bearings output axial load	[N]	1720

#### Accessories

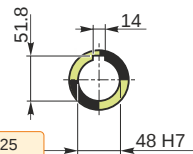
Hollow output shaft	AC 48
---------------------	-------

#### Electric motor coupling

Size		100 A4
Poles n.		4
Power	[kW]	2.2

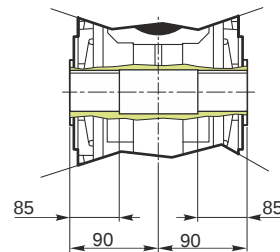


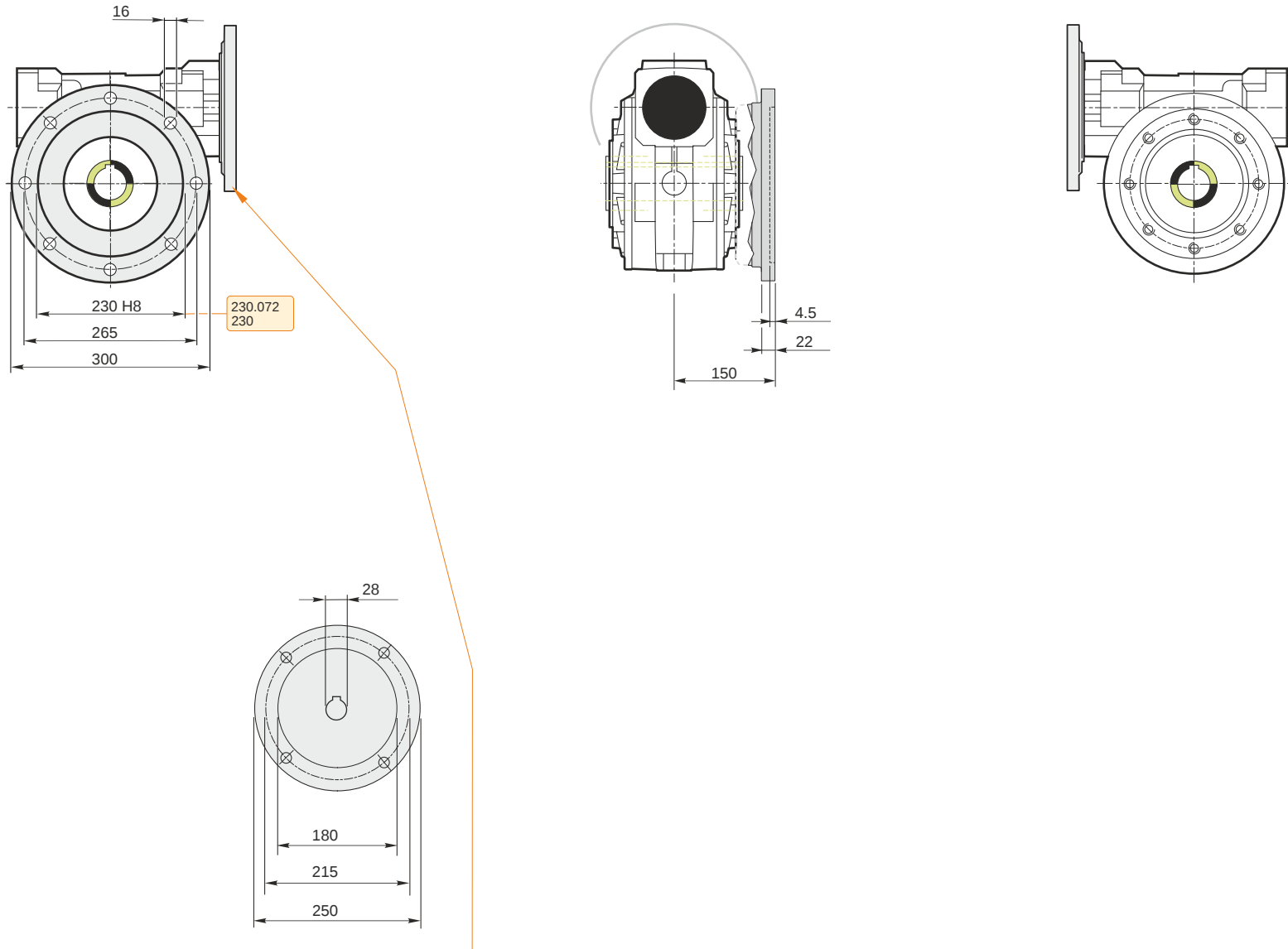
Hollow output shaft



179.986  
179.961

48.025  
48.000

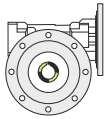




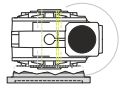
F RS 130 Output flange No Flange FL (integral) 15 100 B5 AC 48 B3

### Mounting positions

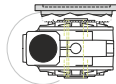
B3



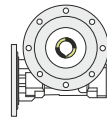
B6



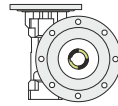
B7



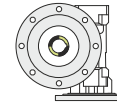
B8



V5



V6



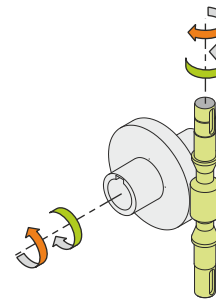
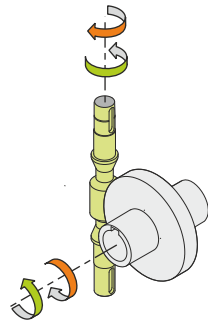
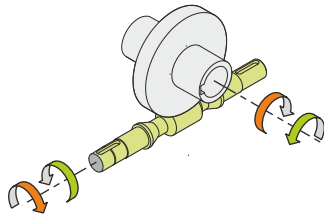
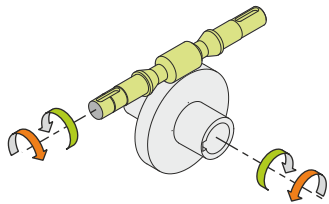
2.75



← Oil quantity [litres]

Lubricant type: Long life synthetic oil ISO VG320

### Direction of rotation



### Weight

Gear unit [kg] 50

### Gearing data

Axial module	6.85
Number of starts	2
Lead angle	14° 06'
Pressure angle	20°

### Backdriving

Static back-driving  
Quick back-driving  
Dynamic back-driving