

Input data

System of measurement		Metric
Input type		Coupling for electric motor
Input speed	[rpm]	1400
Output speed	[rpm]	93.33
Ratio (i=)		15
Frequency	[Hz]	50
Input options		IEC
Requested input power	[kW]	5.5
Service factor		2
Rated Power P1	[kW]	11.04

Output data

Gear unit	F RS 130 Output flange No Flange FL (integral) 15 132 B5 AC 48 B3
------------------	--

Type		RS - Worm speed reducers
Input type		F
Size		130
Ratio (i=)		15
Input flange		B5
Mounting position		B3
Input speed	[rpm]	1400
Output speed	[rpm]	93.33
Rated output torque	[Nm]	478.35
Service Factor		2
Efficiency		0.85
Inertia moment	[kgm ²]	0.002928

Gear unit configuration

Output shaft	Hollow output shaft
Fixing	Output flange
Right side flange	No Flange
Left side flange	FL (integral)

Output radial and axial loads

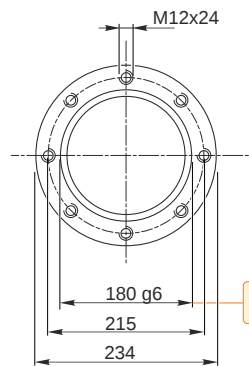
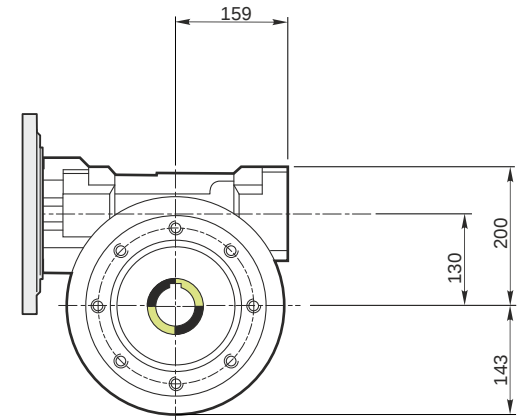
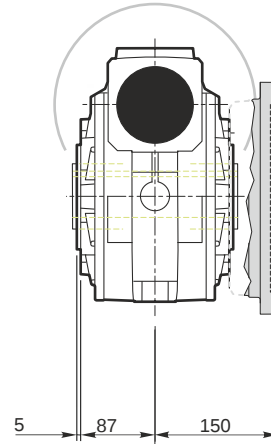
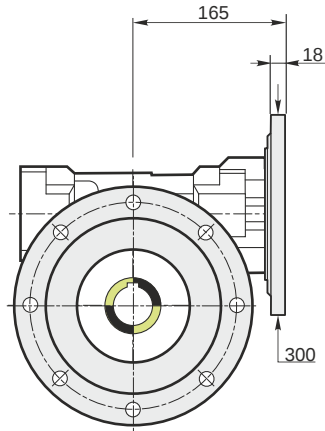
Ball bearings output radial load	[N]	6150
Taper bearings output radial load	[N]	8600
Ball bearings output axial load	[N]	1230
Taper bearings output axial load	[N]	1720

Accessories

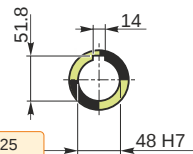
Hollow output shaft	AC 48
---------------------	-------

Electric motor coupling

Size		132 S4
Poles n.		4
Power	[kW]	5.5

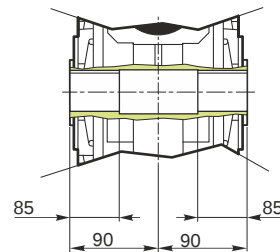


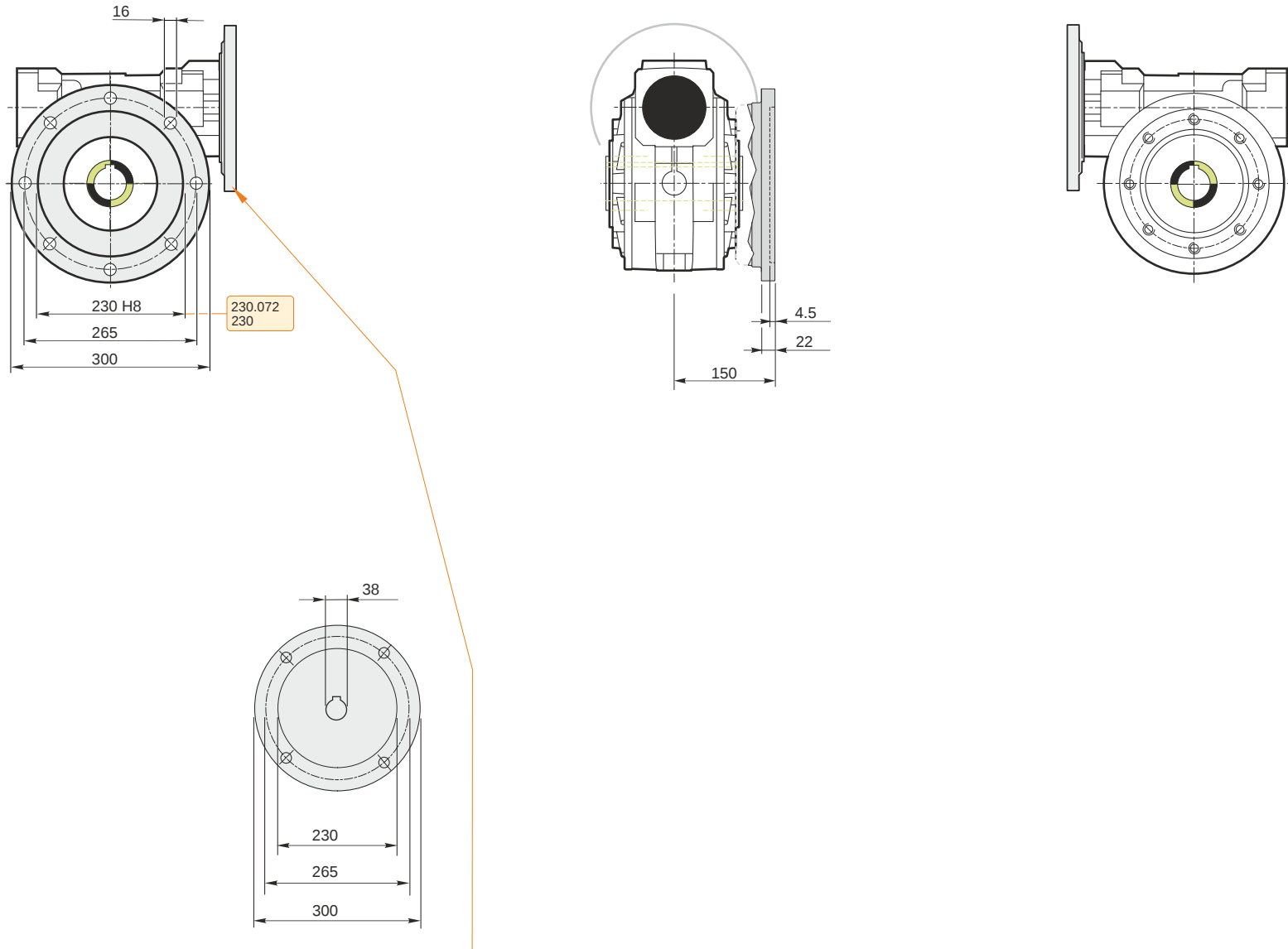
Hollow output shaft



179.986
179.961

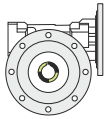
48.025
48.000



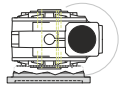


Mounting positions

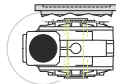
B3



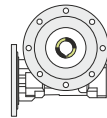
B6



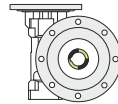
B7



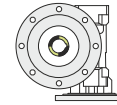
B8



V5



V6



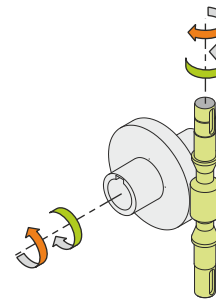
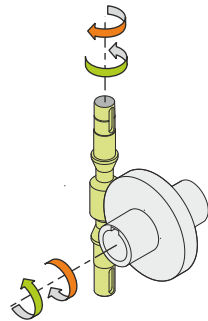
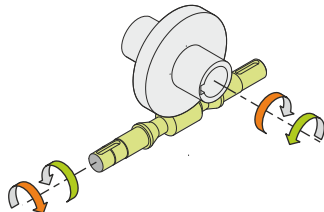
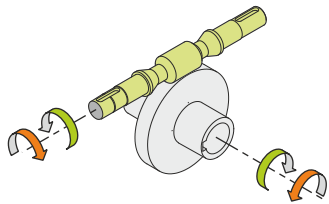
2.75



← Oil quantity [litres]

Lubricant type: Long life synthetic oil ISO VG320

Direction of rotation



Weight

Gear unit [kg] 50

Gearing data

Axial module	6.85
Number of starts	2
Lead angle	14° 06'
Pressure angle	20°

Backdriving

Static back-driving
Quick back-driving
Dynamic back-driving